

 ICOM

VHF MARINE TRANSCEIVER

IC-M400BB



Installation example

Black Box Transceiver When Space is at a Premium



**Space Saving,
Fully Functional VHF/DSC**



Controlled by COMMANDMIC™ HM-195B/SW
HM-195B/SW may be sold separately, depending on version.



New Icom Marine Family User Interface
Shares same user interface operation with IC-M423.



Active Noise Cancelling Technology
Reduces background noise to up to 90%.



10W Loud Audio, Public Address & Fog Horn
With external speaker.



Built-in Class D DSC
Meets ITU-R M493-13 and EN 300 338-3.



Common NMEA Interface
For GPS/NAV Connection.



**MarineCommander™
Compatible**



**MA-500TR AIS Transponder
Compatible**



AquaQuake™ Draining Function
HM-195B/SW



IPX7 Waterproof
1m depth water for 30 minutes.

Space-Saving, Two-Piece Configuration

The IC-M400BB consists of a two-piece, black box configuration. All function control including DSC operation, can be made from the COMMANDMIC™, HM-195B/SW, and the RF unit, IC-M400BB, can be installed in an out-of-sight place.

New Intuitive User Interface

The new menu system is shared with Icom's latest models. The bottom line of the dot-matrix display shows the software key functions which can be toggled with the left and right buttons.

Active Noise Cancelling

The built-in bidirectional active noise cancelling reduces background noise to up to 90% and improves both your transmitted voice and incoming call. Hear and be heard more clearly.

10W Loud Audio, Public Address and Foghorn

The IC-M400BB has a built-in 10W amplifier that increases the audio output from an additional external speaker. The public address function allows you to make an announcement from the microphone like a loud speaker, and the foghorn can also be emitted from the external speaker.

Built-in Class D DSC

The built-in DSC watch function monitors Ch. 70 (DSC channel) activity, even while you are receiving another channel. DSC functions include: distress, individual, group, all ships, urgency, safety, position request/report, polling request and DSC test calls.

Common NMEA Interface

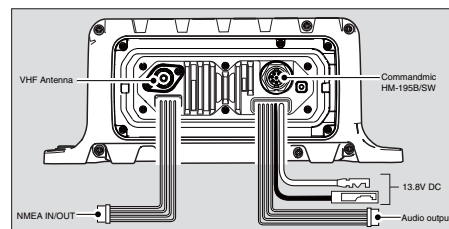
When connected to an external GPS receiver, current position and time are shown on the Commandmic display. When receiving DSC information from another vessel, the radio can transfer it to a navigational device via NMEA 0183 connectivity.

AIS Target Call with MA-500TR

When connected to the optional MA-500TR Class B AIS transponder, the AIS target call function allows you to set up an individual DSC call from the MA-500TR.

And More

- MarineCommander™ compatible
- AquaQuake™ water draining function (HM-195B/SW)
- IPX7 waterproof protection both for IC-M400BB and HM-195B/SW (1m depth for 30 minutes)
- Dual/tri-watch function for monitoring Ch.16 and/or call channel
- Priority and normal scan



OPTIONS

COMMANDMIC™

HM-195B (Black) HM-195SW (Super white)

Supplied accessories

- 6.1m (20ft) of cable
- Microphone hanger
- Mounting base for connector

EXTENSION CABLE for COMMANDMIC, HM-195B/SW

OPC-1541
6.1m (20ft) extension cable. Up to two cables available.

CLASS B AIS TRANSPONDER

MA-500TR

SPECIFICATIONS

GENERAL		
Frequency range	Tx Rx CH70	156.000–161.450MHz 156.000–163.425MHz 156.525MHz
Usable channels		INT, USA* channels * Available depending on version
Type of emission		16K0G3E (FM), 16K0G2B (DSC)
Power supply requirement		13.8V DC nominal (10.8–15.6V DC)
Current drain	Tx Rx Max. audio	25W output 3.5A 3.5A
Operating temperature range		–20°C to +60°C
Antenna impedance		50Ω (SO-239)
Dimensions (Projections not included)		(W×H×D) IC-M400BB 216×79×125mm HM-195B/SW 67.5×144.5×37mm
Weight (approx.)	IC-M400BB HM-195B/SW	830g 400g
NMEA in/out formats		RMC, GGA, GNS, GLL, DSC, DSE
TRANSMITTER		
Output power		25W, 1W
Max. frequency deviation		±5.0kHz
Frequency stability		Less than ±1.5kHz
Spurious emissions		Less than 0.25μW

RECEIVER		
Sensitivity	Main DSC	–5dBμ emf typ. (20dB SINAD) –4dBμ emf typ. (1% BER)
Squelch sensitivity	Main	Less than –2dBμ emf
Adjacent channel selectivity	Main DSC	More than 70dB More than 73dBμ emf (1% BER)
Spurious response	Main DSC	More than 70dB More than 73dBμ emf (1% BER)
Intermodulation	Main DSC	More than 68dB More than 68dBμ emf (1% BER)
Hum and noise		More than 40dB
Audio output power (at 10% distortion, 4Ω load)		More than 2W (HM-195B/SW) More than 10W (RX Speaker)

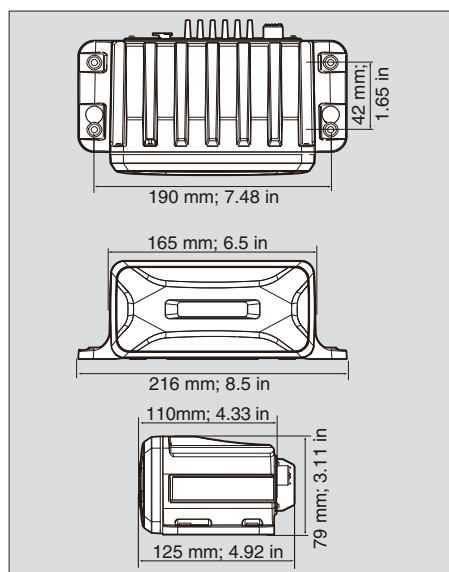
Measurements made in accordance with EN 301 025-2, -3. All stated specifications are subject to change without notice or obligation.

Applicable IP Rating

Ingress Protection Standard (IC-M400BB and HM-195B/SW)
Water IPX7 (Waterproof protection)

Supplied accessories:

- COMMANDMIC, HM-195B/SW* • DC power cable
- * COMMANDMIC, HM-195B/SW may be sold separately, depending on version.



Icom, Icom Inc. and the Icom logo are registered trademarks of Icom Incorporated (Japan) in the United States, the United Kingdom, Germany, France, Spain, Russia, Japan and/or other countries. COMMANDMIC, MarineCommander and AQUAQUAKE are trademarks of Icom Inc. (Japan). All other trademarks are the properties of their respective holders.

Icom Inc.

1-1-32, Kami-minami, Hirano-ku, Osaka 547-0003, Japan Phone: +81 (06) 6793 5302 Fax: +81 (06) 6793 0013

www.icom.co.jp/world

Count on us!

Icom America Inc.

2380 116th Avenue NE,
Bellevue, WA 98004, U.S.A.
Phone : +1 (425) 454-8155
Fax : +1 (425) 454-1509
E-mail : sales@icomamerica.com
URL : <http://www.icomamerica.com>

Icom Canada

Glenwood Centre #150-6165 Highway 17,
Delta, B.C., V4K 5B8, Canada
Phone : +1 (604) 952-4266
Fax : +1 (604) 952-0090
E-mail : info@icomcanada.com
URL : <http://www.icomcanada.com>

Icom Brazil

Rua Itororó, 444 Padre Eustáquio
Belo Horizonte MG,
CEP: 30130-150, Brazil
Phone : +55 (31) 3582 8847
Fax : +55 (31) 3582 8987
E-mail : sales@icombrasil.com

Icom (Europe) GmbH

Communication Equipment
Auf der Krautweide 24
65812 Bad Soden am Taunus, Germany
Phone : +49 (6196) 76685-0
Fax : +49 (6196) 76685-50
E-mail : info@icom-europe.com
URL : <http://www.icomeurope.com>

Icom Spain S.L.

Ctra. Rubi, No. 88 "Edificio Can Castanyer"
Bajos A 08174, Sant Cugat del Valles,
Barcelona, Spain
Phone : +34 (93) 590 26 70
Fax : +34 (93) 589 04 46
E-mail : icom@icomspain.com
URL : <http://www.icomspain.com>

Icom Polska Sp. Z o.o.

80-286 Gdansk, Jaskowa Dolina St. 75, Poland
Phone : +48 (58) 551 0484
Fax : +48 (58) 551 4720
E-mail : icompolka@icompolka.com.pl
URL : <http://www.icompolka.com.pl>

Icom (UK) Ltd.

Blacksole House, Alitra Park,
Herne Bay, Kent, CT6 6GZ, U.K.
Phone : +44 (0) 1227 741741
Fax : +44 (0) 1227 741742
E-mail : info@icomuk.co.uk
URL : <http://www.icomuk.co.uk>

Icom France s.a.s.

Zac de la Plaine,
1 Rue Brindejoux des Moulins, BP 45804,
31505 Toulouse Cedex 5, France
Phone : +33 (5) 61 36 03 03
Fax : +33 (5) 61 36 03 00
E-mail : icom@icom-france.com
URL : <http://www.icom-france.com>

Icom (Australia) Pty. Ltd.

Unit 1 / 103 Garden Road,
Clayton, VIC 3168 Australia
Phone : +61 (03) 9549 7500
Fax : +61 (03) 9549 7505
E-mail : sales@icom.net.au
URL : <http://www.icom.net.au>

Icom New Zealand

146A Harris Road, East Tamaki,
Auckland, New Zealand
Phone : +64 (09) 274 4062
Fax : +64 (09) 274 4708
E-mail : inquiries@icom.co.nz
URL : <http://www.icom.co.nz>

Asia Icom Inc.

6F No. 68, Sec. 1 Cheng-Teh Road,
Taipei, Taiwan, R.O.C.
Phone : +886 (02) 2559 1899
Fax : +886 (02) 2559 1874
E-mail : sales@asia-icom.com
URL : <http://www.asia-icom.com>

Your local distributor/dealer:

hamTECH

Naše kontaktné údaje:

SOUND DESIGN s.r.o.

Pribišova 19/A

841 05 Bratislava

Telefón: +421 2 65 45 65 45

Mobil +421 918 246 789

Email: hamtech@hamtech.sk

Web: www.hamtech.sk